

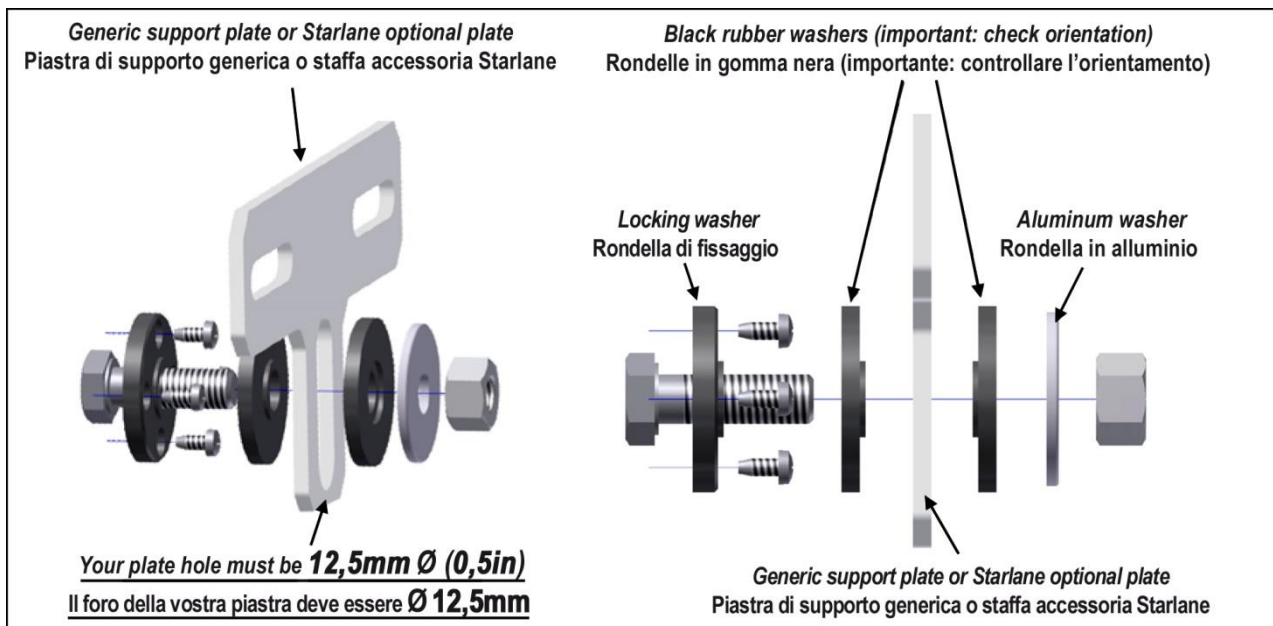
## VERY IMPORTANT BEFORE INSTALLING IT!

**READ CAREFULLY THE FOLLOWING INDICATIONS BEFORE PROCEEDING WITH THE INSTALLATION**

As any other electronic, or just electric device (see dashboards, relays or fuses) always comes mounted on rubber to void the inexorable damages caused by vibrations, also the present apparatus must be installed following carefully the user manual indications.

**The apparatus must stay insulated from vibrations, therefore, you must never fix it stiffly to the vehicle and you must check none of the parts of its external body gets in contact with hard parts of the vehicle.**

If you make your own support plate, using also the supplied elastic fixing kit, it's fundamental to comply with the indications of the following image:



In particular the hole in the bracket must be drilled in **12,5mm (0,5in)** diameter, **and not 8mm**, in order to allow **the protruding side of the rubber washers to fit in the inner side of hole between the bolt and the bracket,**

in this way **the bolt will never get in contact with the inner edge of the bracket hole** and the device will be insulated from vibrations.

***This last matter must be considered of primary importance even if you make different kinds of customized supports.***

Damages caused by vibrations due to wrong mounting show as initial display malfunctioning and possible interruptions of the internal contacts of the electronic board which bring to issues of different nature and often not repairable.

**We remind you that damages caused by wrong installation are not covered by warranty as they are not due to production defects of the apparatus.**